

Camlock Couplings Are Manufactured in Compliance With Mil-c-27487 (a-a-59326) Specification. Their Construction, as Well as Operation, Is Very Simple. The Coupling Is Connected Just by Opening the Coupler Arms and Inserting the Adapter Into the Coupler. The Cam Arms Are Then Closed Under Normal Hand Pressure to Complete Joint. The Standard Coupling Is Supplied With a Nitrile/Silicon Rubber Seal That Is Placed in the Groove of a Coupler. The Couplings Are Made of: Aluminium, Brass (Bronze), Aisi 316 Stainless Steel, Polypropylene Reinforced With Breglass. Handles Are Made of Aisi 304 Stainless Steel as a Standard for All Couplings Made of Brass, Stainless Steel, Polypropylene and for Aluminium Couplings in Sizes 1/2", 3/4", 1", 5" and 6". The Couplings Made of Aluminium in Sizes Ranging From 1.1/4" to 4" Have Brass Handles as a Standard. Polypropylene Couplings in Size 1/2" Have 3/4" Coupler and 3/4" Adapter, However, 1.1/4" Couplings Have 1" Coupler and 1" Adapter as a Standard (Couplings With 1.1/2" Coupler and Adapter Are Also Available). Crs and Ers Couplings in Size 1.1/2" Are Available as a Version for Hoses With Either 38 MM or 40 MM Inside Diameter.

Table 1

Working pressure chart (bar)						
Material/size	1/2"	3/4" + 2"	2.1/2"	3"	4"	5", 6"
Brass		9	10	10	10	5
Aluminium		9	10	10	10	5
AISI 316L		10	10	10	10	9

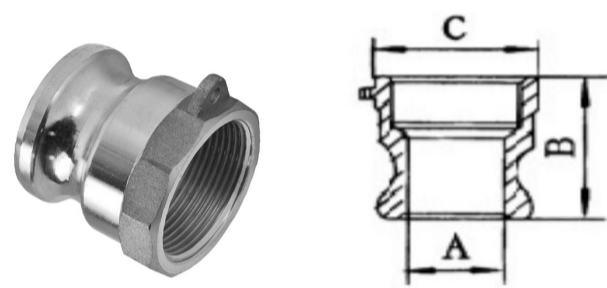
Energy Technocast Pvt Ltd. supplies two types of CAMLOCK couplings:

- SNAPLOCK® - manufactured by Action Sealtite, Heavy Duty type; designed for essential industrial connections,
- ECONOMY - economical version of CAMLOCK fittings for general industrial application. This version comes with reduced wall thickness, economical nish, and with reduced mechanical resistance. Yet it meets all pressure requirements.

Table 2

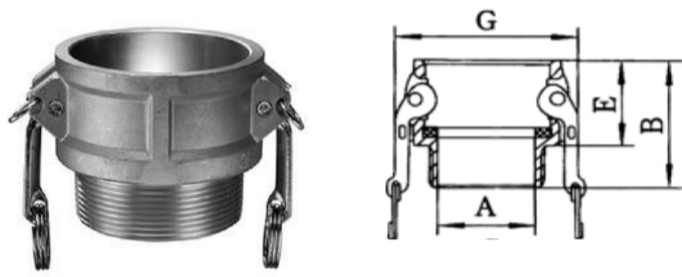
Temperature range of seal material							
Temperature	NBR	EPDM	Viton	neoprene	PTFE / NBR	PTFE / Viton	FEP/ silicone
Minimum	-40°C	-30°C	-40°C	-50°C	-40°C	-40°C	-60°C
Maximum	+93°C	+150°C	+200°C	+107°C	+93°C	+200°C	+205°C

Type A Camlock - Male Camlock / Female BSP



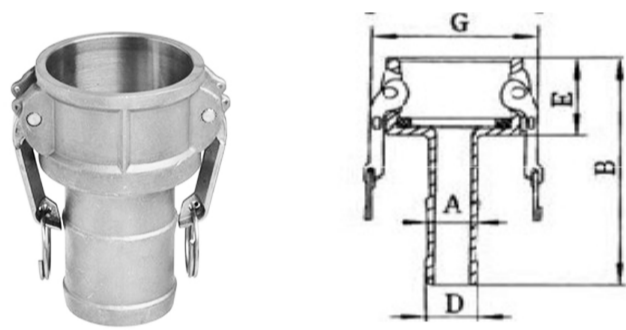
Dimensions	1/2"	3/4"	1"	1 1/4"	1 1/2"	2"	2 1/2"	3"	4"
inch									
millimetres	15	20	25	32	40	50	65	80	100
A	21	21	26	28.5	36	50	56.5	75	109.2
B	38	38	45	56	60	61	87	66.5	72
C	32	32	38	48	56	63	83	91.5	119.5

Type B Camlock - Female Camlock / Male BSP



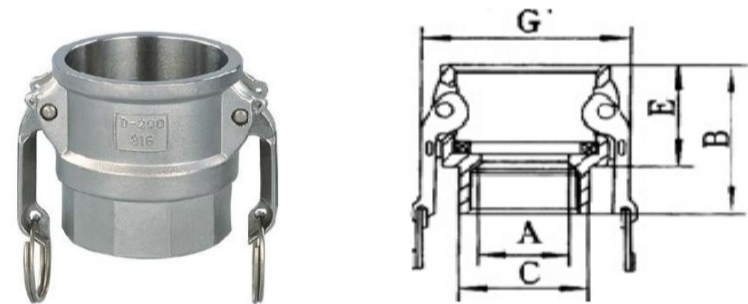
Dimensions	1/2"	3/4"	1"	1 1/4"	1 1/2"	2"	2 1/2"	3"	4"
inch									
millimetres	15	20	25	32	40	50	65	80	100
A	14	14	24	28	35	51	58	72	98
B	52	52	64	72	73	80	90	94	101
E	32	32	40	48	49	54	59	60	62
G	53	53	60	78	85	96	110	127	156

Type C Camlock - Female Camlock / Male Hosebarb



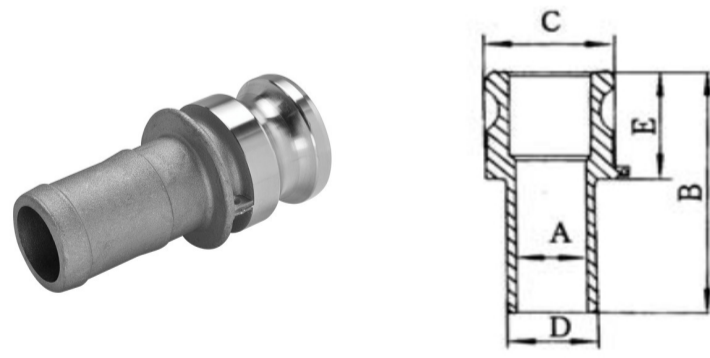
Dimensions	1/2"	3/4"	1"	1 1/4"	1 1/2"	2"	2 1/2"	3"	4"
inch									
millimetres	15	20	25	32	40	50	65	80	100
A	14	14	25	25	31	43	55	67	92
B	92	92	94	118	121	138	155	164	175
D	20	20	31	33	39	52	65	77	103
E	32	32	36	48	49	54	59	60	62
G	53	53	60	78	85	96	110	127	156

Type D Camlock - Female Camlock / Female BSP



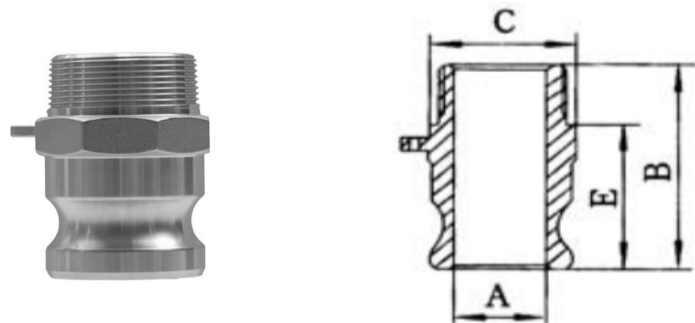
Dimensions	1/2"	3/4"	1"	1 1/4"	1 1/2"	2"	2 1/2"	3"	4"
inch									
millimetres	15	20	25	32	40	50	65	80	100
A	16	19	26	30	39	50	58	72	98
B	52	52	62	68	71	78	85	91	96
C	32	32	40	48	56	67	83	96	127
E	32	32	40	48	49	54	59	60	62
G	53	53	60	78	85	96	110	127	156

Type E Camlock - Male Camlock / Male Hosebarb



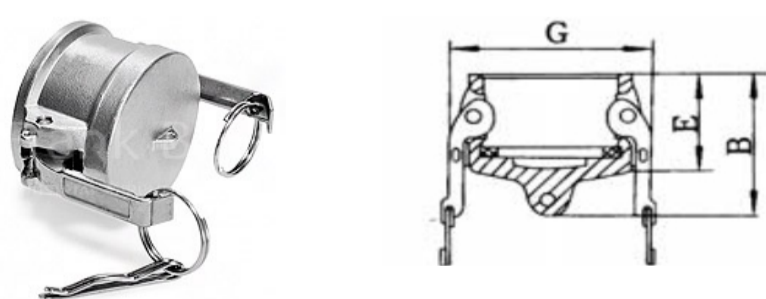
Dimensions	1/2"	3/4"	1"	1 1/4"	1 1/2"	2"	2 1/2"	3"	4"
inch									
millimetres	15	20	25	32	40	50	65	80	100
A	14	19	24	28	35	48	58	72	98
B	98	98	110	121	125	140	158	170	182
D	20	20	26	33	39	52	65	77	103
E	40	40	46	53	56	61	65	66	70
C	34	34	38	48	56	66	80	102	132

Type F Camlock - Male Camlock / Male BSP



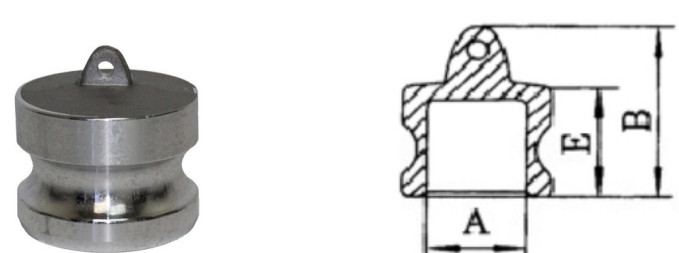
Dimensions	1/2"	3/4"	1"	1 1/4"	1 1/2"	2"	2 1/2"	3"	4"
inch									
millimetres	15	20	25	32	40	50	65	80	100
A	21	21	24	28.5	36	45	56.5	73	98
B	56	56	72	80	84	88	100	106	114
C	32	32	40	48	56	67	83	96	127
E	39	39	48	56	61	62	69	74	79

Type DC Camlock - Dust Cap



Dimensions	1/2"	3/4"	1"	1 1/4"	1 1/2"	2"	2 1/2"	3"	4"
inch									
millimetres	15	20	25	32	40	50	65	80	100
B	45	45	54	65	69	80	84	85	94
E	32	35	40	48	49	54	59	60	62
G	53	53	60	78	85	96	110	127	156

Type DP Camlock - Dust Plug



Dimensions	1/2"	3/4"	1"	1 1/4"	1 1/2"	2"	2 1/2"	3"	4"
inch									
millimetres	15	20	25	32	40	50	65	80	100
A	21	21	24	29	36	45	57	73	98
B	37	37	44	55	64	68	70	80	80
E	24	24	30	38	41	43	45	52	48